

Bremen Cabinetry Drawer Assembly

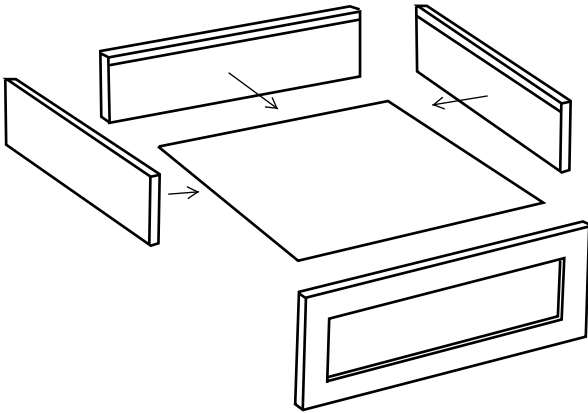


Figure 1

Drawer box assembly:

1. Begin by removing the drawer parts and organizing on a work bench or counter top.
2. Assemble the drawer bottom and 3 sides as shown in Figure 1 with the bottom up.
3. Lightly tap the dovetail joints of the back and sides together until tight.
4. Slide the bottom into the assembled sides.
5. Spread the sides slightly and insert the drawer front. Tap joints together until tight.

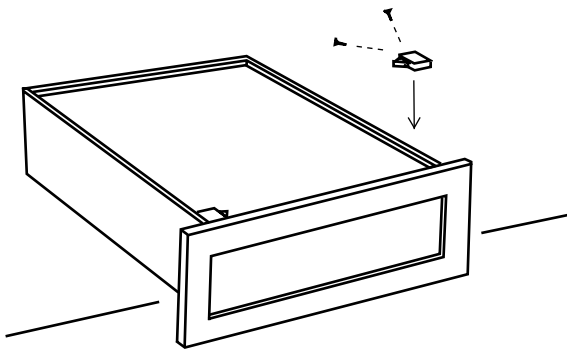


Figure 2

Drawer slide assembly:

1. Set drawer front over counter or work top edge to keep drawer flat.
2. Install front drawer slide clips as shown in Figure 2.
3. Install rear drawer slide plastic clips into pre-drilled holes in cabinet back as shown in Figure 3.
4. Slide rear of drawer slides onto plastic clips and secure front of glide to cabinet face with screws into pre-drilled holes.

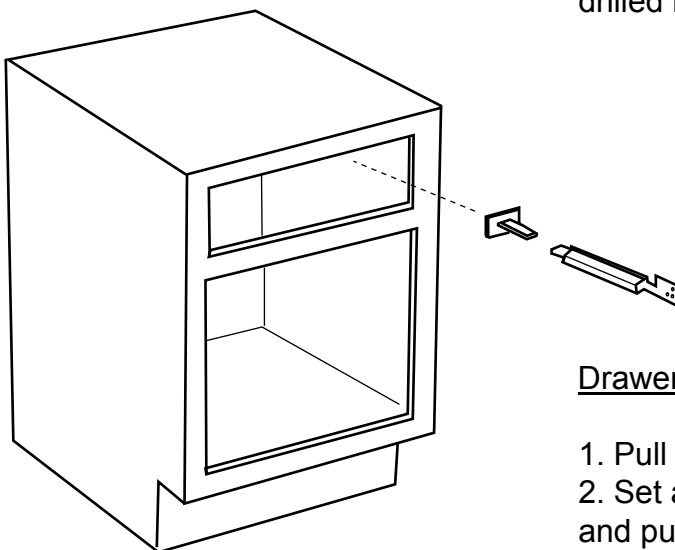


Figure 3

Drawer installation in cabinet:

1. Pull both installed slides forward fully.
2. Set assembled drawer onto slides and push back fully until you hear both clips click.
3. Check drawer operation and adjust as needed.